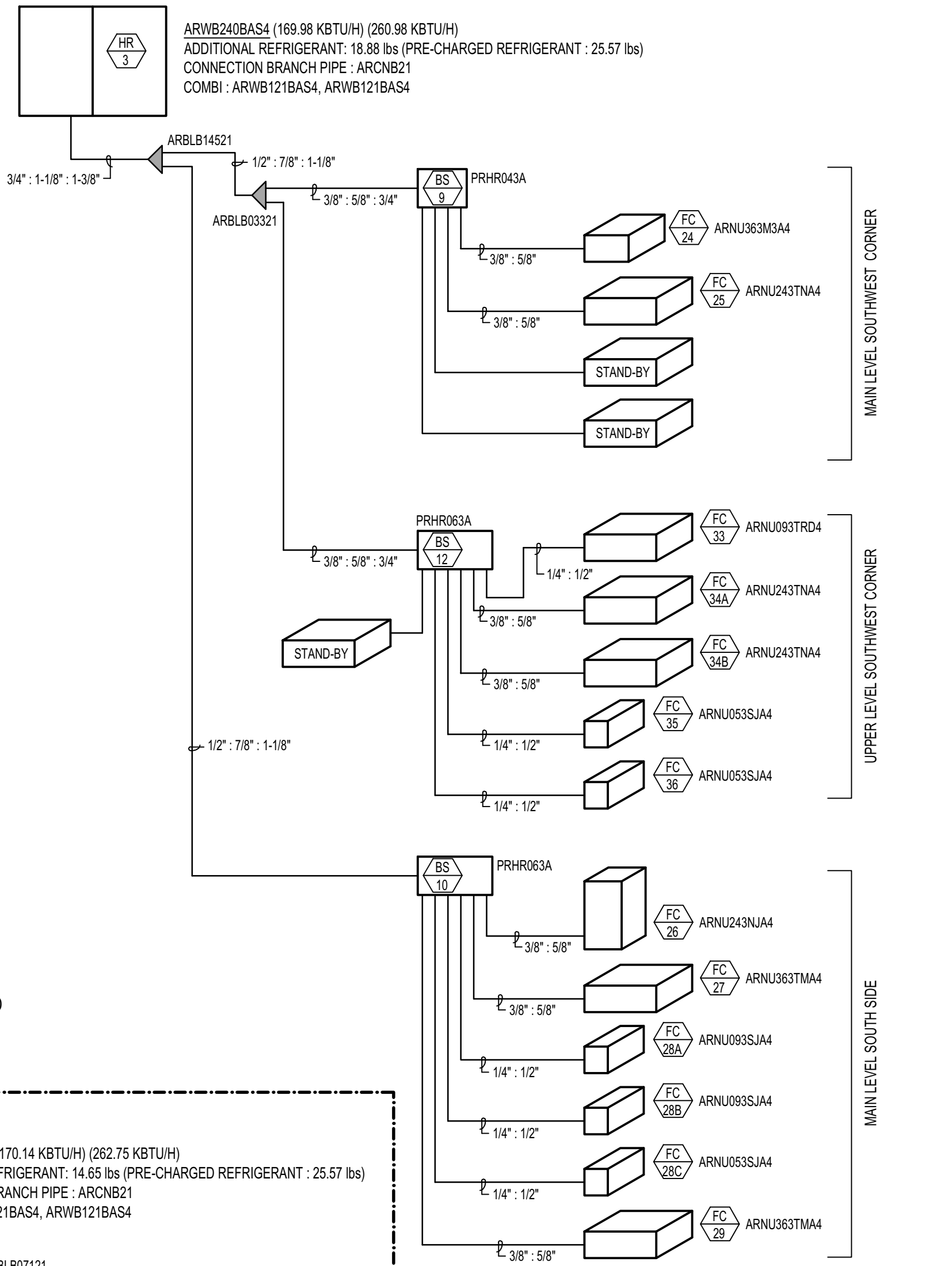


ALL UNITS AND PIPING UNDER ALTERNATE BID ITEM #2

HR-3 REFRIGERANT PIPING SCHEMATIC

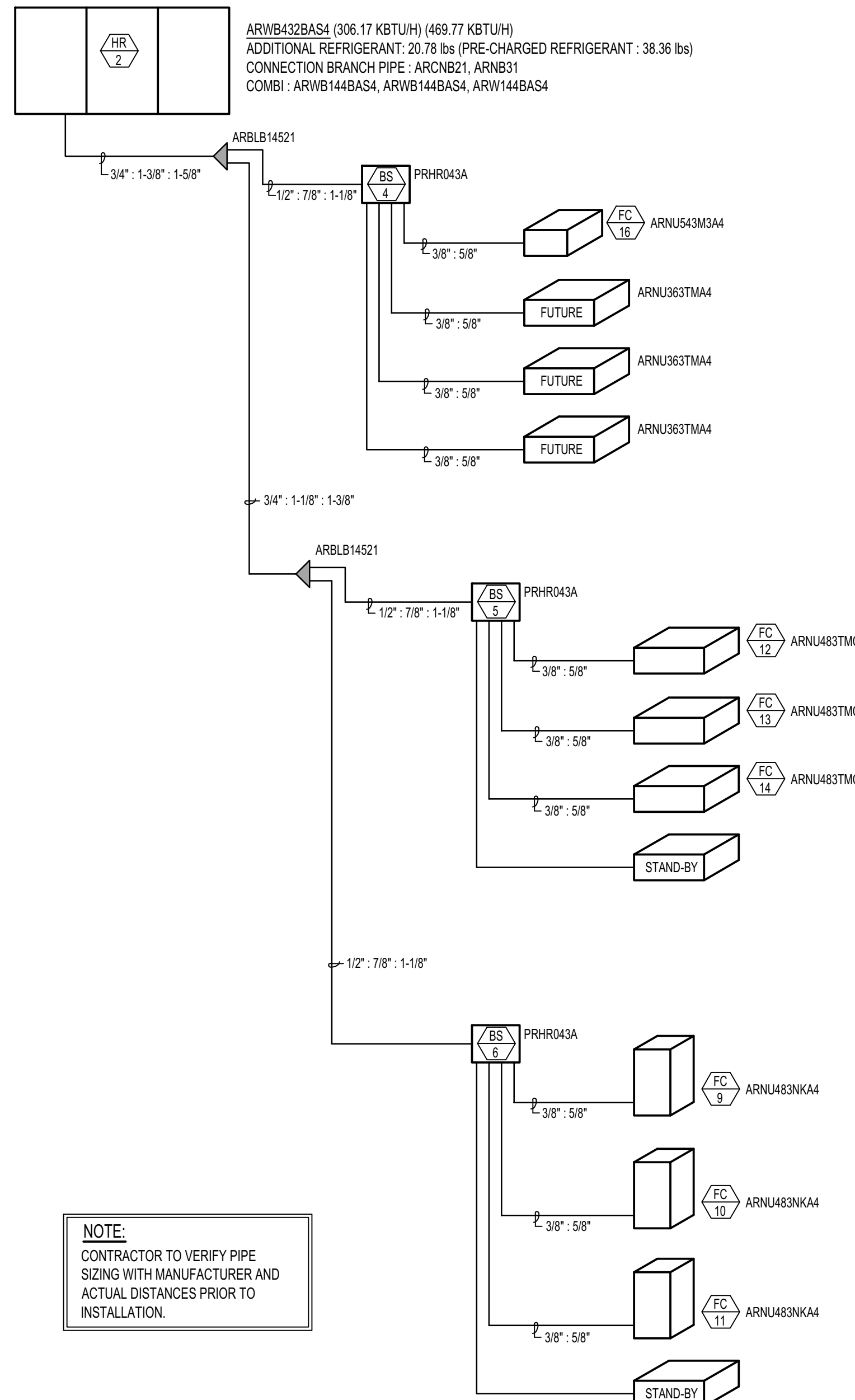
NO SCALE UNITS LOCATED ON SECOND AND THIRD FLOORS



NOTE:
 CONTRACTOR TO VERIFY PIPE SIZING WITH MANUFACTURER AND ACTUAL DISTANCES PRIOR TO INSTALLATION.

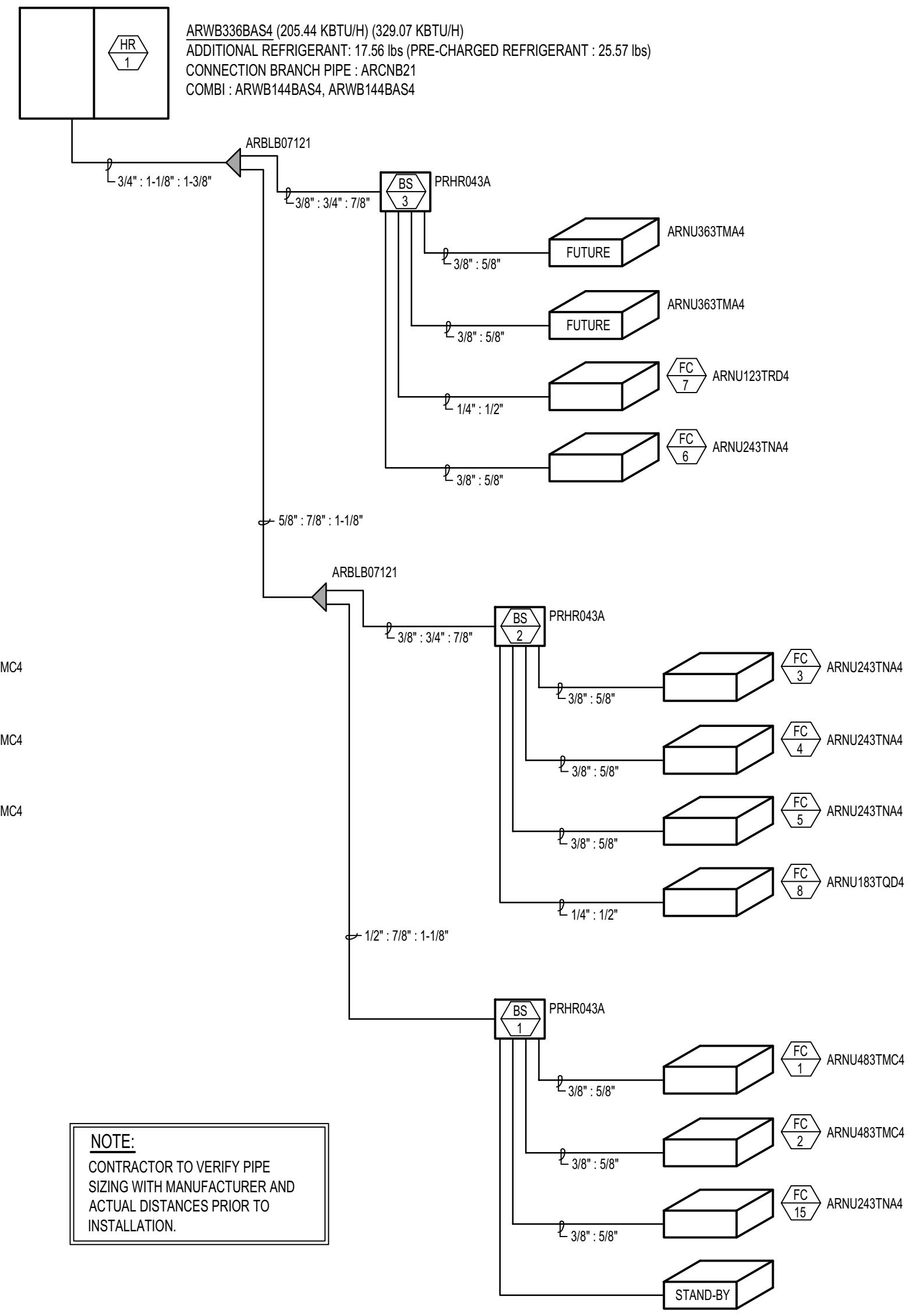
HR-2 REFRIGERANT PIPING SCHEMATIC

NO SCALE UNITS LOCATED IN CENTRAL CORE AND SOUTH SIDE OF FIRST FLOOR



HR-1 REFRIGERANT PIPING SCHEMATIC

NO SCALE UNITS LOCATED IN NORTH SIDE OF FIRST FLOOR

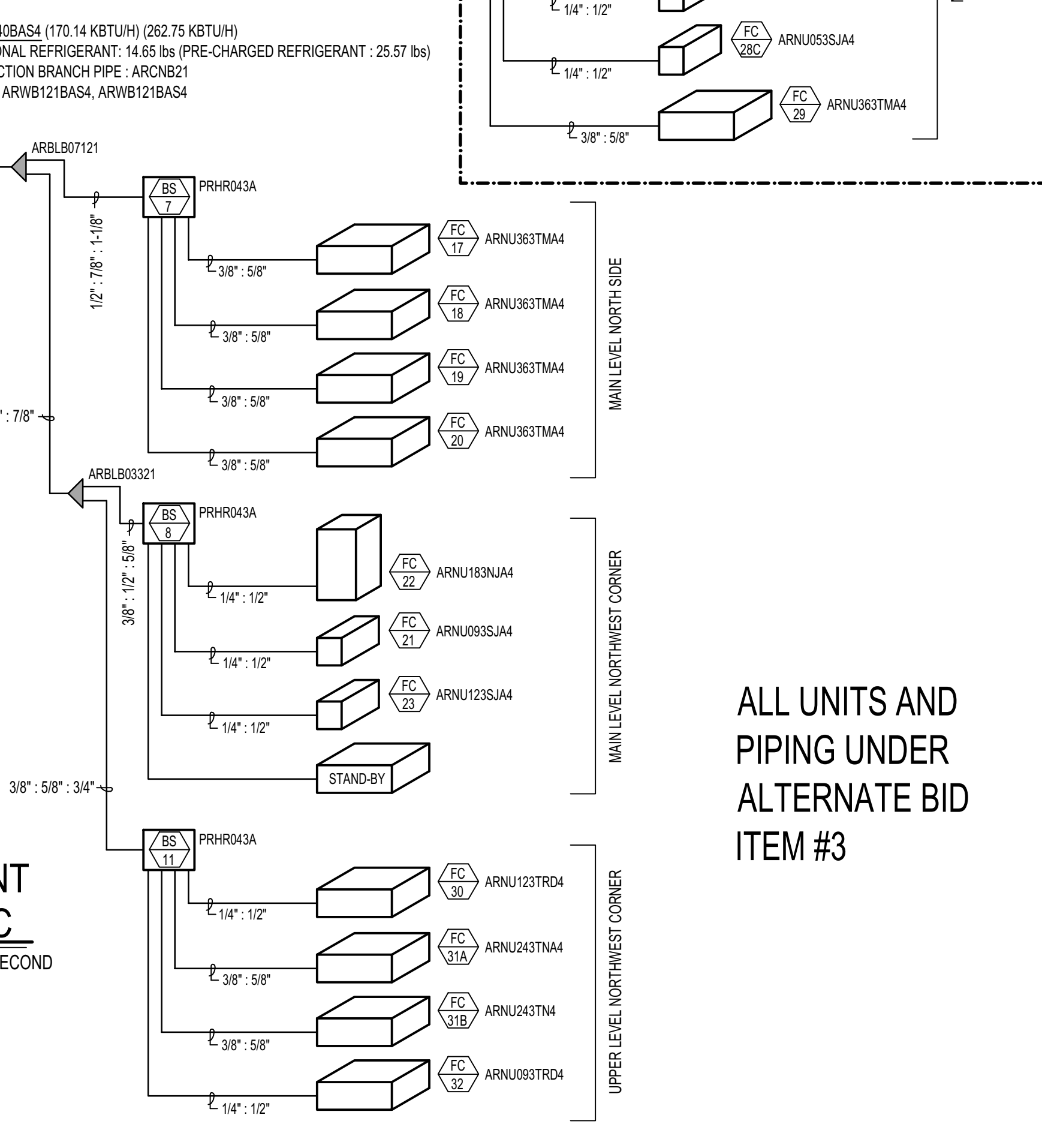


NOTE:
 CONTRACTOR TO VERIFY PIPE SIZING WITH MANUFACTURER AND ACTUAL DISTANCES PRIOR TO INSTALLATION.

NOTE:
 CONTRACTOR TO VERIFY PIPE SIZING WITH MANUFACTURER AND ACTUAL DISTANCES PRIOR TO INSTALLATION.

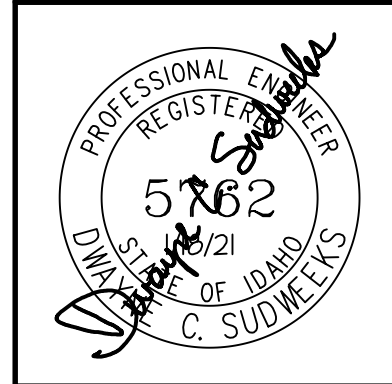
HR-4 REFRIGERANT PIPING SCHEMATIC

NO SCALE UNITS LOCATED ON SECOND AND THIRD FLOORS



ALL UNITS AND PIPING UNDER ALTERNATE BID ITEM #3

ORIGINAL DRAWING SIGNED BY: DWAYNE C. SUDWEEKS
 DATE ORIGINAL SIGNED: Feb 16, 2021
 ORIGINAL ON FILE AT ENGINEERED SYSTEMS ASSOCIATES
 1355 EAST CENTER, POCATELLO, IDAHO 83201



Engineered Systems Associates
 1355 EAST CENTER
 POCATELLO, IDAHO 83201
 PHONE: (208) 233-0501
 FAX: (208) 233-0529
 EMAIL: eso@engsystems.com
 ESA JOB NUMBER: 18050



This approval shall not be construed to be an approval of any violation of, or variance from, Idaho's adopted codes, standards, laws or rules applicable to this project.
 SEPARATE BUILDING PERMIT REQUIRED FOR CONSTRUCTION